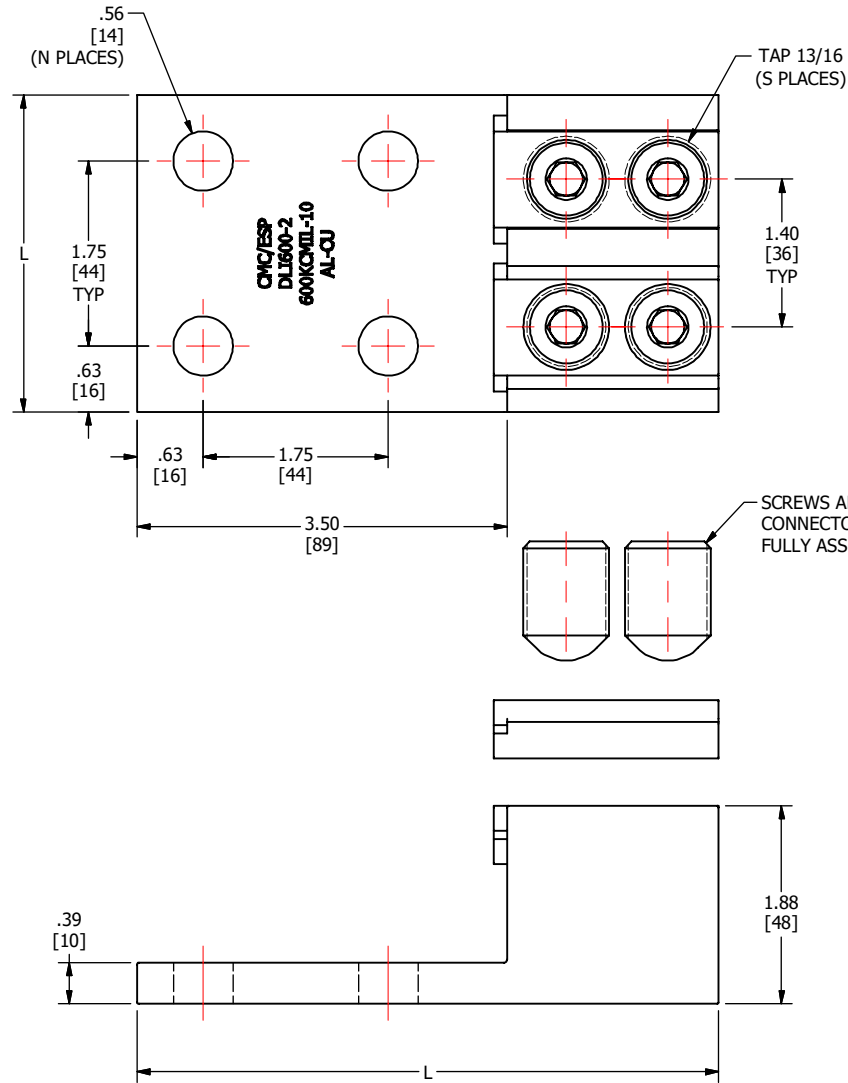


S.NO	CATALOG NUMBER	L	N	S (NO OF CONDUCTORS)
1	DLI600-2	3.00 [76]	4	2
2	DLI600-8	12 [305]	14	8



MATERIAL: ALUMINUM
 CONDUCTOR RANGE: 600 KCMIL - 10
 DUAL-RATED CONDUCTORS
 (ALUMINUM OR COPPER)
 FINISH: CLEAR PLATE

TO ORDER CMC PRODUCTS				DRAWN BY: TS		NAME OF PART:		CAT. NO.:	
UNITED STATES 1-513-860-4455				08-13-20		LAY IN LUG		SEE TABLE	
CANADA 1-800-361-6975				CHECKED BY:		DWG NO:		B	
MEXICO 011-52-722-265-4400						U08494205-S (CHARTED)			
FOR PRODUCT INFO www.cmcclugs.com				DESCRIPTION		DRAWING NOT TO SCALE		SHEET NO: 1 OF 1	
REV.	DESCRIPTION	ECN	DATE	INIT.					
A	NEW DRAWING CREATED		08-13-20	TS					

THIS INFORMATION IS PROPRIETARY TO CONNECTOR MFG. CO. AND IS NOT TO BE DISCLOSED OUTSIDE OF CONNECTOR MFG. CO. WITHOUT A CONFIDENTIALITY AGREEMENT



CONNECTOR MANUFACTURING CO.

HAMILTON, OHIO